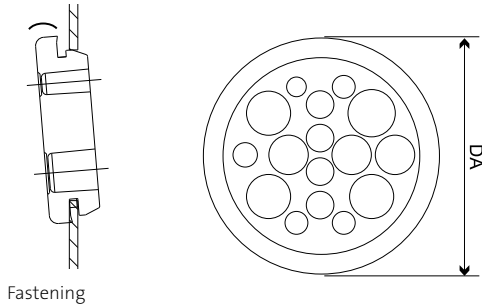


KEL-DP round Cable Entry Plates



Fastening



Type	Order No. Type A	Order No. Type B	Number of cables	Cut-out	External diameter DA	PU
KEL-DP 50 9	<input type="checkbox"/> 43554 <input checked="" type="checkbox"/> 50554	<input type="checkbox"/> 43568 <input checked="" type="checkbox"/> 50568	5× max. 7 mm 4× max. 18 mm	∅ 50 mm	60 mm	10
KEL-DP 50 11	<input type="checkbox"/> 43555 <input checked="" type="checkbox"/> 50555	<input type="checkbox"/> 43569 <input checked="" type="checkbox"/> 50569	7× max. 7.2 mm 3× max. 11.2 mm 1× max. 22.5 mm	∅ 50 mm	60 mm	10
KEL-DP 50 12	<input type="checkbox"/> 43551 <input checked="" type="checkbox"/> 50551	<input type="checkbox"/> 43562 <input checked="" type="checkbox"/> 50562	10× max. 9.2 mm 2× max. 11.2 mm	∅ 50 mm	60 mm	10
KEL-DP 50 16	<input type="checkbox"/> 43550 <input checked="" type="checkbox"/> 50550	<input type="checkbox"/> 43564 <input checked="" type="checkbox"/> 50564	4× max. 5.3 mm 5× max. 6.3 mm 3× max. 9.5 mm 4× max. 11.3 mm	∅ 50 mm	60 mm	10
KEL-DP 50 18	<input type="checkbox"/> 43553 <input checked="" type="checkbox"/> 50553	<input type="checkbox"/> 43567 <input checked="" type="checkbox"/> 50567	2× max. 4 mm 2× max. 6 mm 4× max. 7.2 mm 5× max. 9.4 mm 5× max. 12 mm	∅ 50 mm	60 mm	10
KEL-DP 50 20	<input type="checkbox"/> 43552 <input checked="" type="checkbox"/> 50552	<input type="checkbox"/> 43566 <input checked="" type="checkbox"/> 50566	16× max. 6.3 mm 4× max. 9.3 mm	∅ 50 mm	60 mm	10
KEL-DP 50 35	<input type="checkbox"/> 43556 <input checked="" type="checkbox"/> 50556	<input type="checkbox"/> 43570 <input checked="" type="checkbox"/> 50570	35× max. 5.2 mm	∅ 50 mm	60 mm	10

* Only valid for gray product types

Specifications

Material	Elastomer
Color	<input type="checkbox"/> gray (similar RAL 7035) <input checked="" type="checkbox"/> black
Flame class	UL94-Vo
IP rating	IP65 (certified acc. to EN 60529)
NEMA type rating	NEMA type 12 (acc. to UL 50E)
Temperature	- 40°C to + 90°C (static) - 40°F to + 194°F (static)
Properties	Halogen-free, silicone-free
Cut-out dimensions	Metric sizes
Plate depth	5 mm
Type A:	For wall thickness 1.5 - 2.5 mm
Type B:	For wall thickness 2.8 - 4 mm

Accessories

ST-B Plugs	76
FP Flanged plates	152 - 157